

FIG. 3a

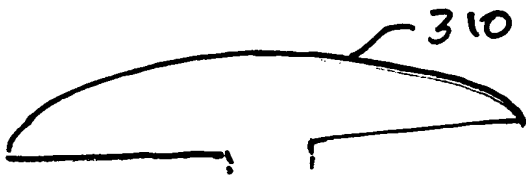


FIG. 3b

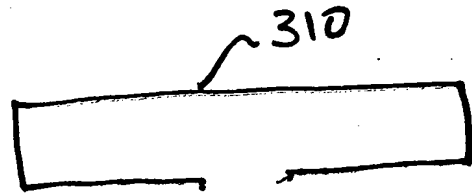


FIG. 3c

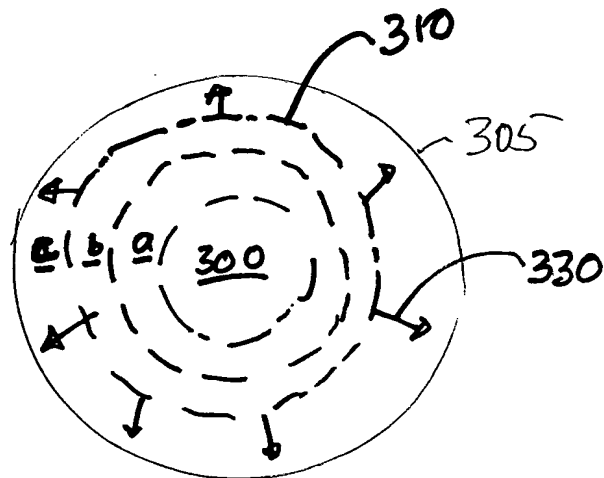


FIG. 4

FOR THE "OFFICE"

3/5

FIG. 1C

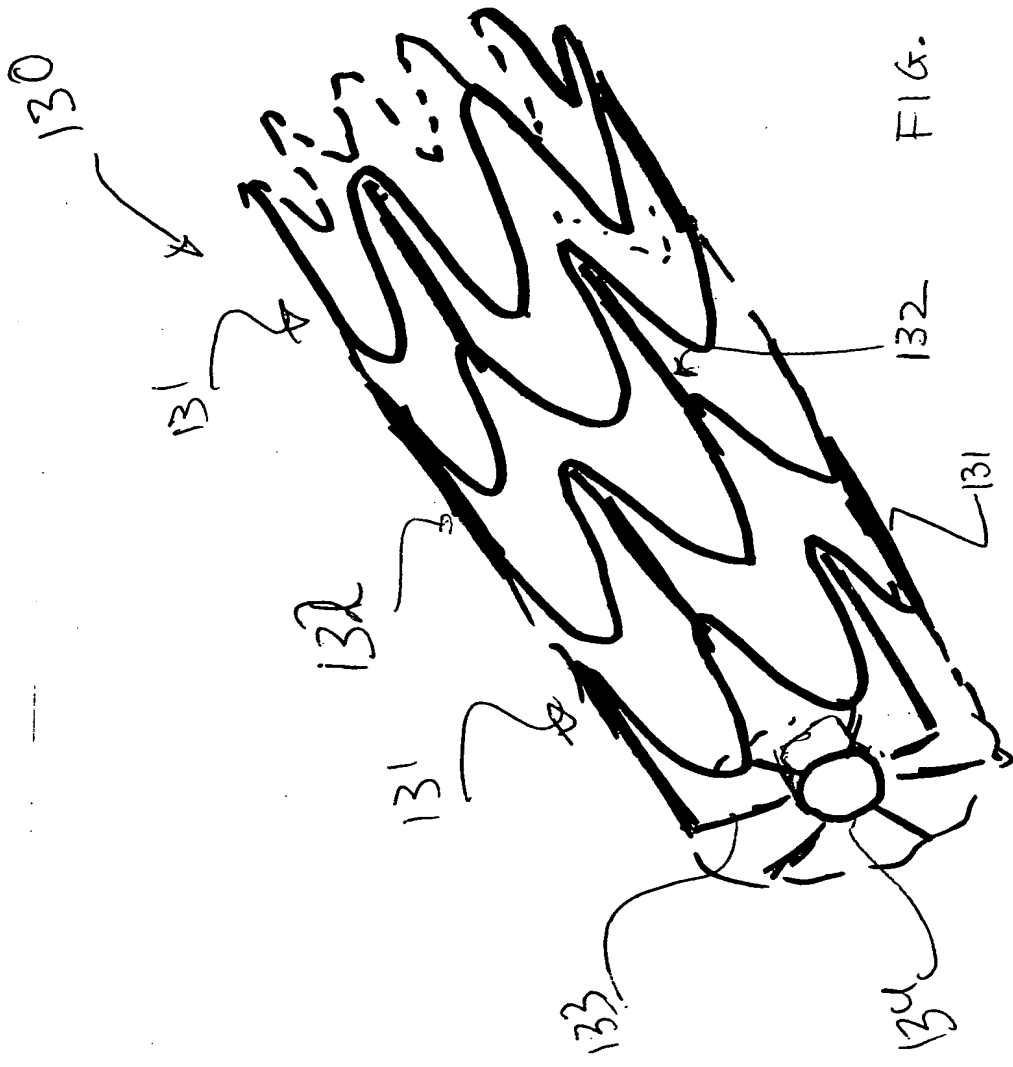
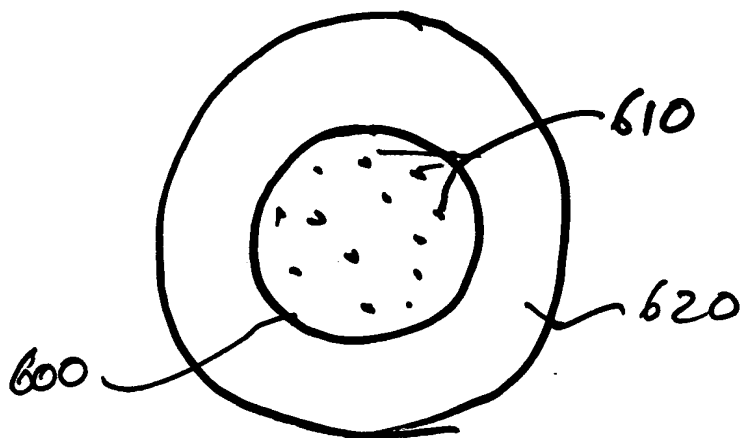
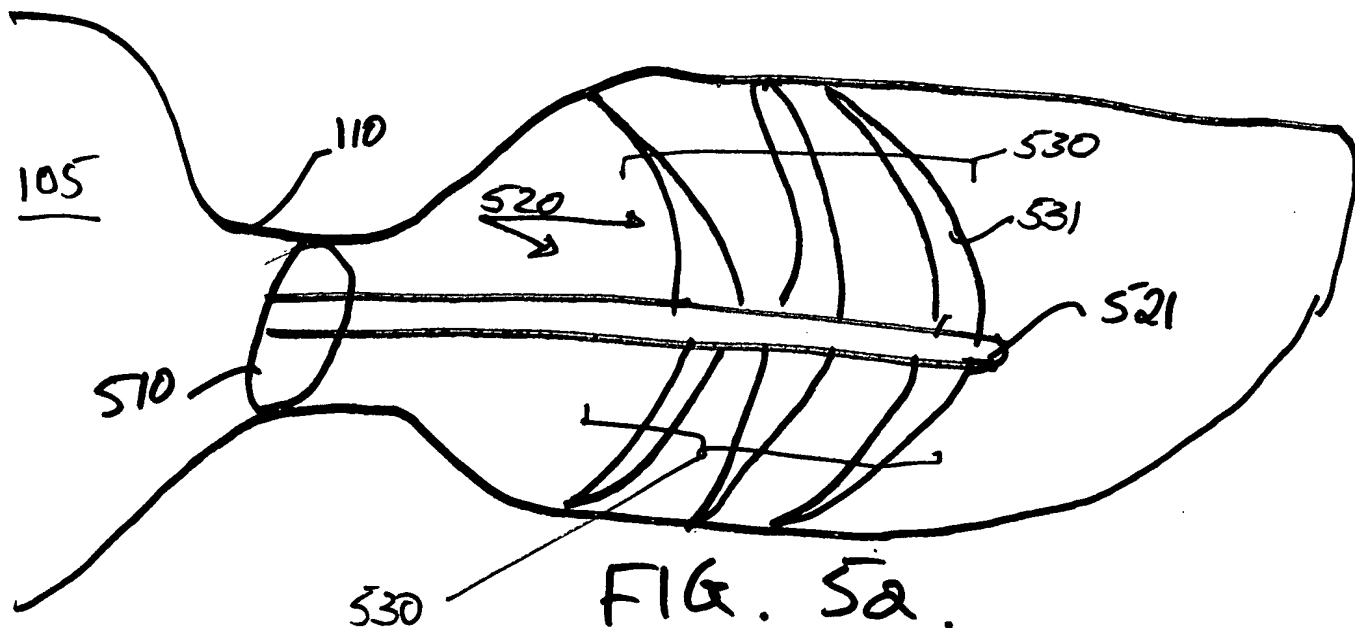


FIG. 1C



FOR THE

09361734660

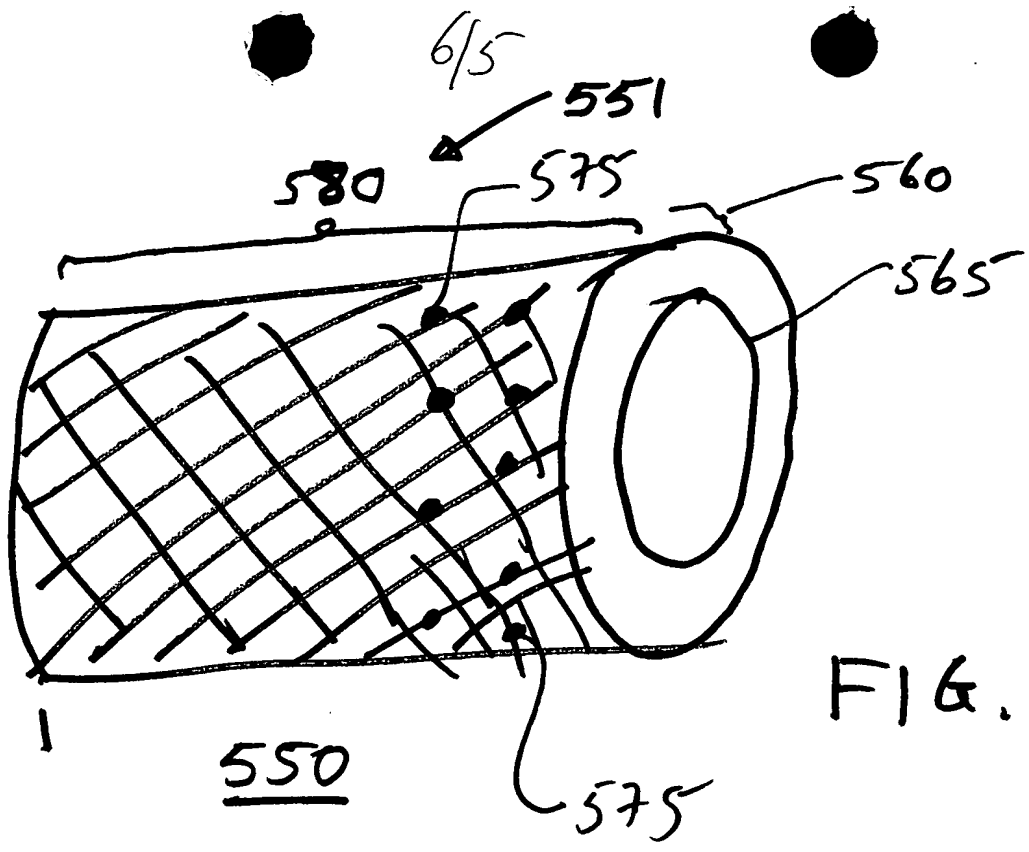


FIG. 5b

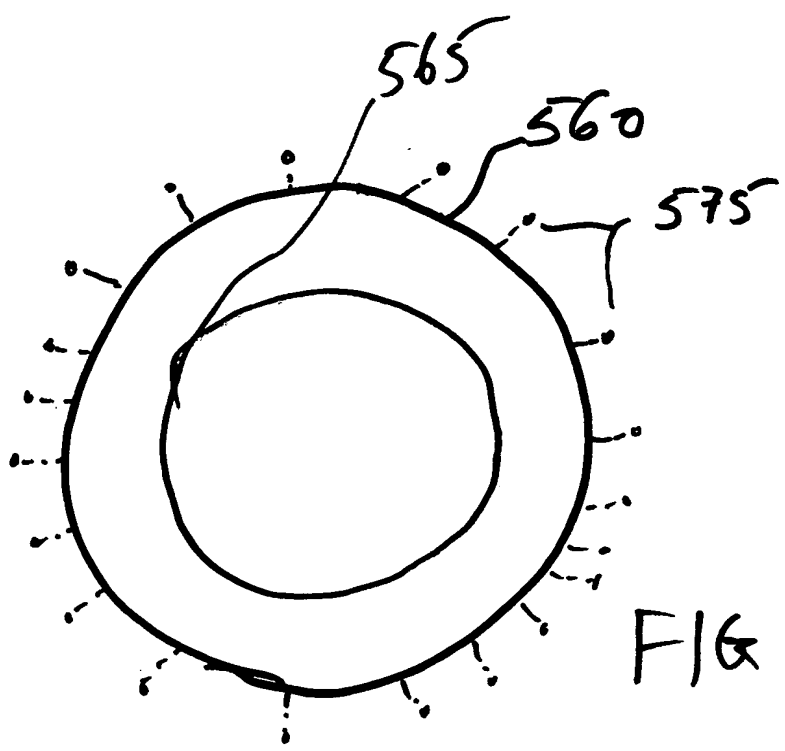


FIG. 5c